



In-Line Strainers

Specialised In-Line Flanged Pot Strainers



Strainers

Application

Flanged In-Line Pot Strainers for Pipe Protection

Application

Strainers remove damage causing particulate matter from the pipeline media, protecting the pipeline system components such as flow meters, pumps, mechanical seals and valves. The particulate matter is captured in the strainer basket. The pipeline is then temporarily shut down and the basket removed for cleaning and replacement.

Advantages

'Y' Strainers are common place in pipelines and offer an affordable and effective pipeline strainer product.

Pot Strainers reduce downtime for cleaning due to their construction including a top bolted cover and easy removal of the screen. As they are accessed from above makes them easier to clean and replace the screen. Screens can be manufactured from many materials, stainless steel grade 304 is our standard. Lifting eyes and handles are supplied on the cover plate of larger Pot Strainers enabling easier removal and replacement of the cover plate.

Pot Strainers can be manufactured with special corrosion protection coatings.

Cleaning

As the lid of the pot strainer sits on top of the product, it is easier to open, clean and replace the screen. Many 'Y' Strainers are installed and never cleaned as access to the strainer at the bottom of the product is restricted.

The Range

Pot Strainers DN50mm to DN900mm, up to PN64.

Size Range

- DN50mm - DN900mm

Industries

- Water
- Gas
- Industrial

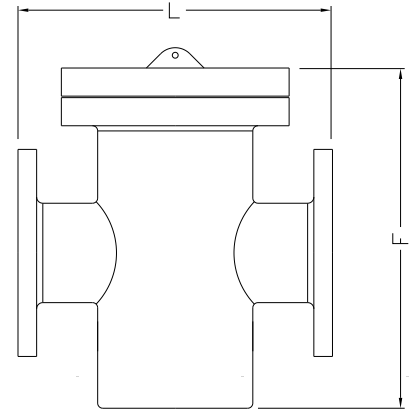
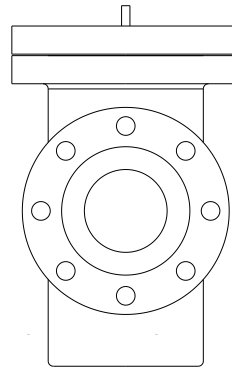
Pipe Materials

- Ductile Iron
- Cast Iron
- Steel
- Stainless Steel
- PVC
- HDPE
- GRP
- AC
- Concrete
- Clay



In-Line Pot Strainer

Specifications & Dimensions



Any flange drilling available up to PN64.

POT STRAINER - PN10

PIPE DN (mm)	PIPE OD (mm)	FLANGE SPECIFICATION	ORDER CODE	PLUG BSP (Inch)	F (mm)	L (mm)	WORKING PRESSURE (Bar)	TEST PRESSURE (Bar)
50	60,3	SANS1123 T1000/3	STR-P 0050 G	1	316	280	10	15
65	76,1	SANS1123 T1000/3	STR-P 0065 G	1	316	280	10	15
80	88,9	SANS1123 T1000/3	STR-P 0080 G	1	316	280	10	15
100	114,3	SANS1123 T1000/3	STR-P 0100 G	1	418	350	10	15
125	139,7	SANS1123 T1000/3	STR-P 0125 G	1	418	350	10	15
150	165,1	SANS1123 T1000/3	STR-P 0150 G	1	418	370	10	15
200	219	SANS1123 T1000/3	STR-P 0200 G	1	472	500	10	15
250	273	SANS1123 T1000/3	STR-P 0250 G	1	525	590	10	15
300	324	SANS1123 T1000/3	STR-P 0300 G	1	632	720	10	15
350	356	SANS1123 T1000/3	STR-P 0350 G	1	682	750	10	15
400	406	SANS1123 T1000/3	STR-P 0400 G	1	738	870	10	15
450	457	SANS1123 T1000/3	STR-P 0450 G	1	788	870	10	15
500	508	SANS1123 T1000/3	STR-P 0500 G	1	845	990	10	15
600	610	SANS1123 T1000/3	STR-P 0600 G	1	950	1110	10	15
700	711	SANS1123 T1000/3	STR-P 0700 G	1	1055	1230	10	15
800	813	SANS1123 T1000/3	STR-P 0800 G	1	1210	1350	10	15
900	914	SANS1123 T1000/3	STR-P 0900 G	1	1270	1580	10	15

Material Specification

Strainer Body

Manufactured from Mild Steel Pipe to SANS719

Strainer Body Coating

Fusion Bonded Epoxy to SANS1217
Others coatings available on request

Bolts

Steel to SANS1143 Grade 4.8
Stainless Steel available on request

Bolt Coating

Hot Dipped Galvanizing to SANS763

Screen

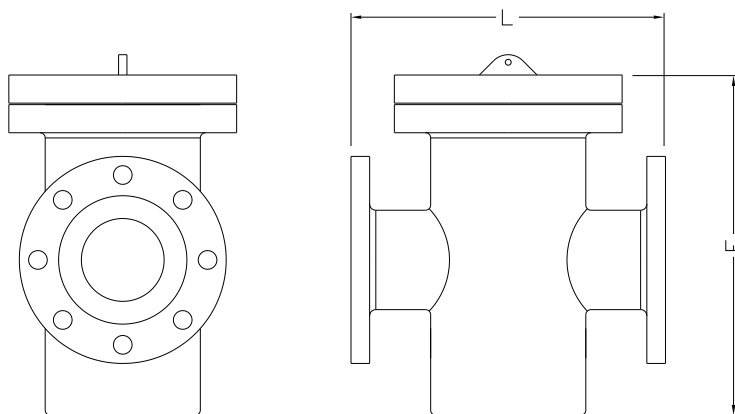
Stainless Steel Grade 304 or 316

Flange Gasket

Klinger

In-Line Pot Strainer

Specifications & Dimensions



POT STRAINER - PN16

PIPE DN (mm)	PIPE OD (mm)	FLANGE SPECIFICATION	ORDER CODE	PLUG BSP (Inch)	F (mm)	L (mm)	WORKING PRESSURE (Bar)	TEST PRESSURE (Bar)
50	60,3	SANS1123 T1600/3	STR-P 0050 H	1	318	290	16	24
65	76,1	SANS1123 T1600/3	STR-P 0065 H	1	318	290	16	24
80	88,9	SANS1123 T1600/3	STR-P 0080 H	1	318	290	16	24
100	114,3	SANS1123 T1600/3	STR-P 0100 H	1	422	360	16	24
125	139,7	SANS1123 T1600/3	STR-P 0125 H	1	422	360	16	24
150	165,1	SANS1123 T1600/3	STR-P 0150 H	1	422	380	16	24
200	219	SANS1123 T1600/3	STR-P 0200 H	1	478	520	16	24
250	273	SANS1123 T1600/3	STR-P 0250 H	1	535	610	16	24
300	324	SANS1123 T1600/3	STR-P 0300 H	1	640	740	16	24
350	356	SANS1123 T1600/3	STR-P 0350 H	1	690	770	16	24
400	406	SANS1123 T1600/3	STR-P 0400 H	1	750	900	16	24
450	457	SANS1123 T1600/3	STR-P 0450 H	1	800	900	16	24
500	508	SANS1123 T1600/3	STR-P 0500 H	1	855	1010	16	24
600	610	SANS1123 T1600/3	STR-P 0600 H	1	965	1140	16	24
700	711	SANS1123 T1600/3	STR-P 0700 H	1	1070	1260	16	24
800	813	SANS1123 T1600/3	STR-P 0800 H	1	1225	1380	16	24
900	914	SANS1123 T1600/3	STR-P 0900 H	1	1285	1610	16	24

POT STRAINER - PN25

PIPE DN (mm)	PIPE OD (mm)	FLANGE SPECIFICATION	ORDER CODE	PLUG BSP (Inch)	F (mm)	L (mm)	WORKING PRESSURE (Bar)	TEST PRESSURE (Bar)
50	60,3	SANS1123 T2500/3	STR-P 0050 M	1	330	315	25	37,5
65	76,1	SANS1123 T2500/3	STR-P 0065 M	1	330	315	25	37,5
80	88,9	SANS1123 T2500/3	STR-P 0080 M	1	330	315	25	37,5
100	114,3	SANS1123 T2500/3	STR-P 0100 M	1	428	375	25	37,5
125	139,7	SANS1123 T2500/3	STR-P 0125 M	1	428	375	25	37,5
150	165,1	SANS1123 T2500/3	STR-P 0150 M	1	428	395	25	37,5
200	219	SANS1123 T2500/3	STR-P 0200 M	1	482	530	25	37,5
250	273	SANS1123 T2500/3	STR-P 0250 M	1	540	620	25	37,5
300	324	SANS1123 T2500/3	STR-P 0300 M	1	650	760	25	37,5
350	356	SANS1123 T2500/3	STR-P 0350 M	1	700	790	25	37,5
400	406	SANS1123 T2500/3	STR-P 0400 M	1	760	920	25	37,5
450	457	SANS1123 T2500/3	STR-P 0450 M	1	810	920	25	37,5
500	508	SANS1123 T2500/3	STR-P 0500 M	1	874	1050	25	37,5
600	610	SANS1123 T2500/3	STR-P 0600 M	1	982	1175	25	37,5
700	711	BS EN 1092 PN25	STR-P 0700 M	1	1090	1300	25	37,5
800	813	BS EN 1092 PN25	STR-P 0800 M	1	1248	1430	25	37,5
900	914	BS EN 1092 PN25	STR-P 0900 M	1	1306	1650	25	37,5

Every effort has been made to ensure that the information contained in this document is accurate at the time of publishing. Thomas Pipe Products assumes no responsibility or liability for typographical errors or omissions or for any misinterpretation of the information within the document and reserves the right to change without notice.

Copyright © 2015 by Thomas Pipe Products